



Truth Cam Handle Locks are designed to provide long and trouble-free service. The hole in the handle allows operation of cam lock in elevated locations. Two-piece strike design includes a black polyester insert to provide a smooth operation and reduce wear. Inserts are available in various heights to assure tight lock-up of window. The 90° rotation of the handle locks or unlocks the sash. This product can exceed 300 lbs. of forced entry resistance per locking point.

Truth offers two different ways in which this product can be mounted to the window sash - Face Mounted (In-line or Offset options), or for concealed mounting applications, an Angle Base feature is available. Consult the drawings for further details.

WARRANTY:

Protected under the terms of the Truth Warranty for Window and Door Manufacturers and Authorized Distributors. Refer to Truth's Terms and Conditions for further details.

MATERIAL: High-pressure die-cast zinc handle, base and strike housing. Strike housing materials and finishes match cam handles. Inserts are black polyester. #30569 Strike made of painted steel.

FINISH: Electrostatically applied, durable coatings that provide excellent resistance to chipping, scratching and corrosion while maintaining color stability for years in direct sunlight. Please refer to Truth's Color Chart for examples of Truth's most popular finish options. Truth also offers a wide range of decorative "plated" finishes - contact Truth for additional information on availability of these finishes on specific product lines.



ORDERING INFORMATION & OPTIONS:

1. Choose cam handle mounting desired by part number (see drawings for various options).
2. Specify finish number desired.
3. Specify left- or right-hand (determined by which direction the handle points in the locked position, when viewed from the inside, on a project out bottom window).
4. Select mounting hardware (sold separately):
 - a. Choose strike and insert part numbers. Make sure strike coincides with handle (offset or in-line). NOTE: #25.70 and #25.72 can be used with a #30569 strike plate allowing use of either left- or right-hand cam handles with the same strike placement.
 - b. Optional —
 - (1) #20408 —Rubber-cork adhesive backed gasket for In-line bases.
 - (1) #20556 —Rubber-cork adhesive backed cam handle gasket for Offset bases.

RECOMMENDED SCREWS:

Types of screws required determined by material of profile used. Refer to drawings for complete information on screw type and quantity needed (sold separately). For additional information regarding screw selection - see Truth Tips and refer to Tech Note #11.

TRUTH TIPS:

1. For accurate hardware placement in vinyl or metal applications, pre-drilling of the window profile is recommended.
2. For vinyl window applications, mounting screws should pass through two PVC walls, or one PVC wall and one insert wall. For this reason, it may be necessary to use a longer screw than is recommended.
3. For metal window profiles, Truth recommends machine screws. However, in most applications, sheet metal screws will provide adequate holding power.

INCLUDE TRUTH SPECS ON YOUR NEXT WINDOW PROJECT

Cam handle locks shall be included which will increase both security and weather seal tightness. The locks must hold securely up to 300 lbs. of force per lock for negative air pressure and forced entry resistance. A hole shall be provided in the handle for pole operation in out-of-reach applications.

Window locks shall be of cam handle design and utilize a two-piece strike. The cam handle must be constructed of high pressure zinc alloy die castings. Marring of window surfaces will be eliminated by using a plastic insert mounted in a high pressure zinc die cast strike housing.

Window locks shall be 25 series Pole Operated, as manufactured by Truth Hardware, Owatonna, MN.

25 POLE-OPERATED CAM HANDLE LOCKS

FIG. 1 APPLICATION OF IN-LINE AND ANGLE BASE POLE OPERATED CAM HANDLES

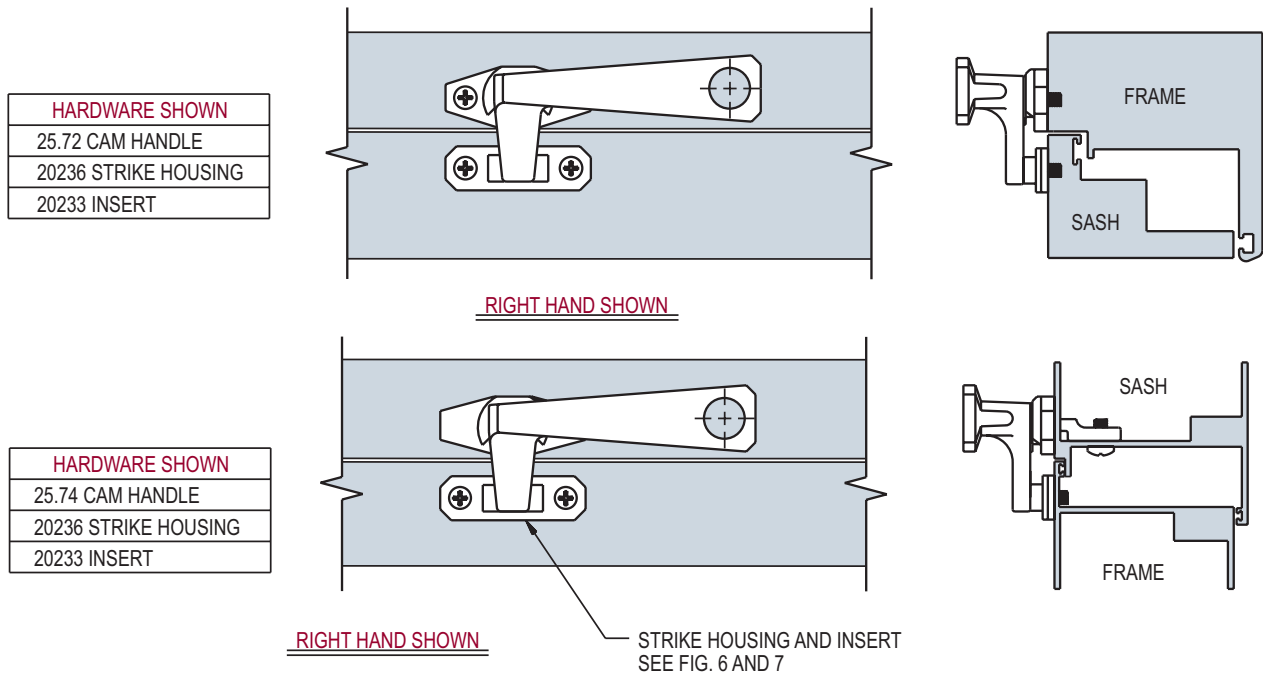
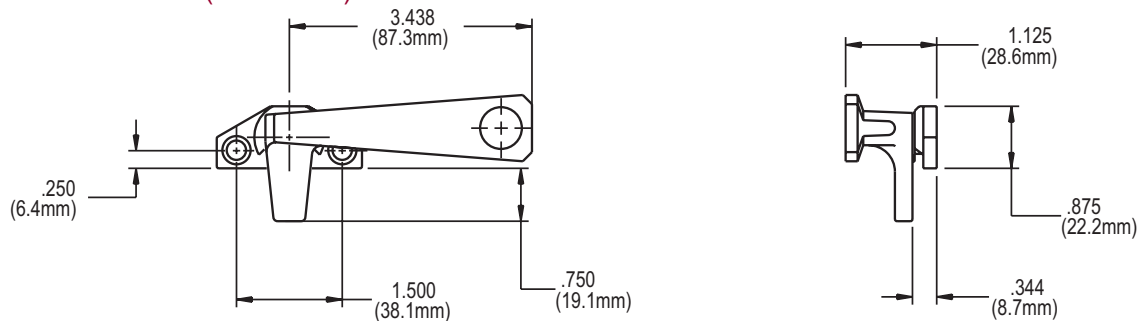


FIG. 2 CAM HANDLE 25.70 (offset base)

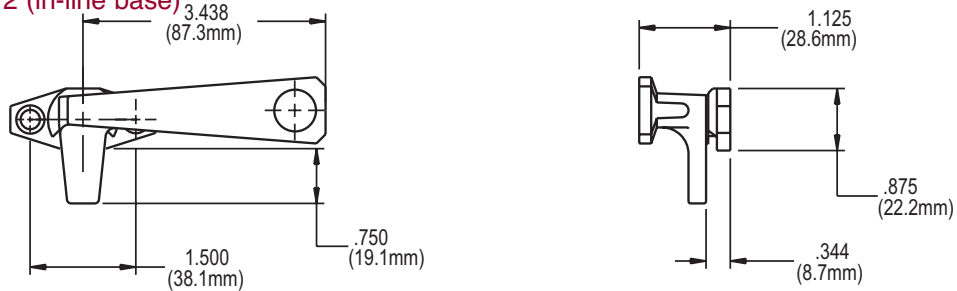


RECOMMENDED SCREWS:

METAL: 2 (P/N 19630) #10-24 X .312 PHILLIPS, FLAT HEAD, SST METAL MACHINE SCREWS

PVC/WOOD: 2 - #10-24 PHILLIPS, FLAT HEAD, SST SCREWS (LENGTH AND THREAD TYPE DETERMINED BY PROFILE)

FIG. 3 CAM HANDLE 25.72 (in-line base)

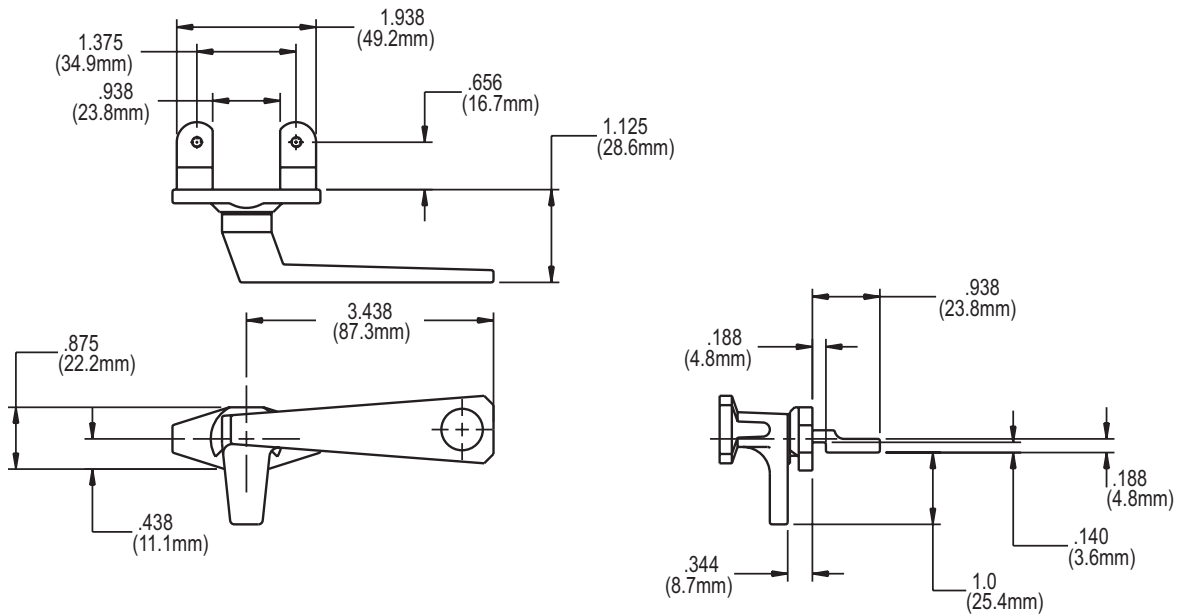


RECOMMENDED SCREWS:

METAL: 2 (P/N 19630) #10-24 X .312 PHILLIPS, FLAT HEAD, SST METAL MACHINE SCREWS

PVC/WOOD: 2 - #10-24 PHILLIPS, FLAT HEAD, SST SCREWS (LENGTH AND THREAD TYPE DETERMINED BY PROFILE)

FIG. 4 CAM HANDLE 25.74 (A-1 angle base)



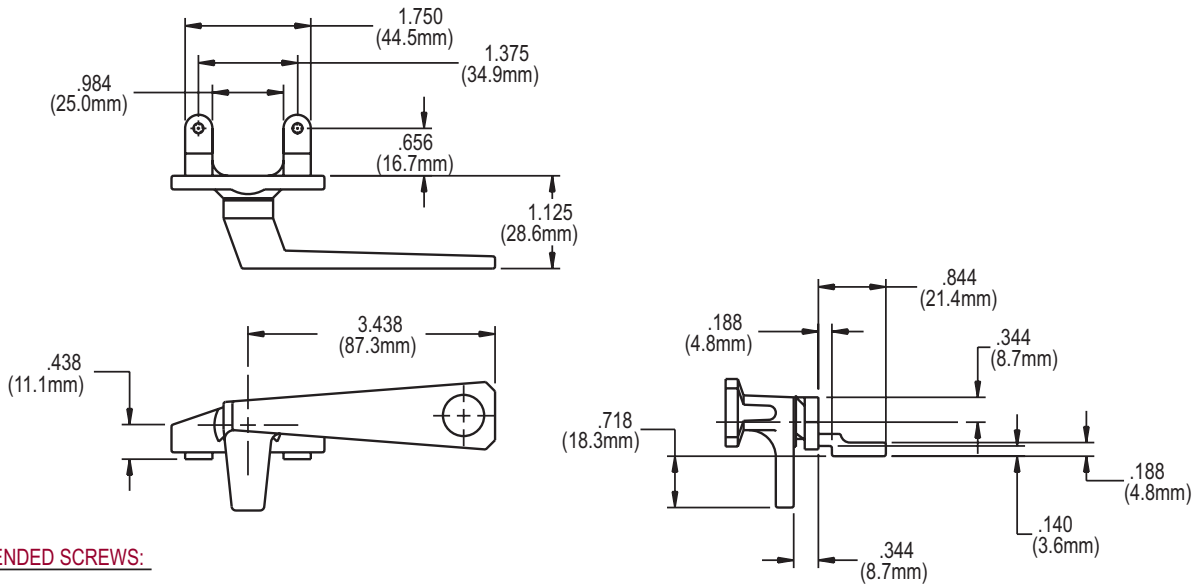
RECOMMENDED SCREWS:

METAL: 2 (P/N 19640) #10-24 X .375 PHILLIPS, PAN HEAD, SST METAL MACHINE SCREWS

PVC/WOOD: 2 - #10-24 PHILLIPS, PAN HEAD, SST METAL MACHINE SCREWS (LENGTH AND THREAD TYPE DETERMINED BY PROFILE)

RIGHT HAND SHOWN

FIG. 5 CAM HANDLE 25.41 (A-3 angle base)



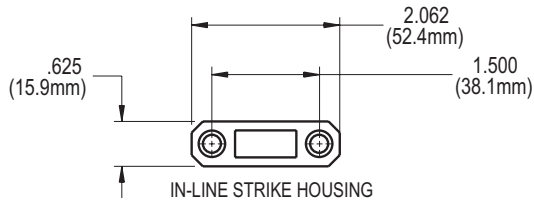
RECOMMENDED SCREWS:

METAL: 2 (P/N 19640) #10-24 X .375 PHILLIPS, PAN HEAD, SST METAL MACHINE SCREWS

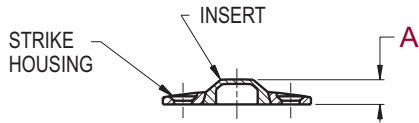
PVC/WOOD: 2 - #10-24 PHILLIPS, PAN HEAD, SST METAL MACHINE SCREWS (LENGTH AND THREAD TYPE DETERMINED BY PROFILE)

RIGHT HAND SHOWN

FIG. 6 IN-LINE STRIKE HOUSING 20236



A	STRIKE HOUSING NUMBER	INSERT NUMBER
.218 (5.6mm)	20236	20231
.282 (7.1mm)		20232
.344 (8.7mm)		20233

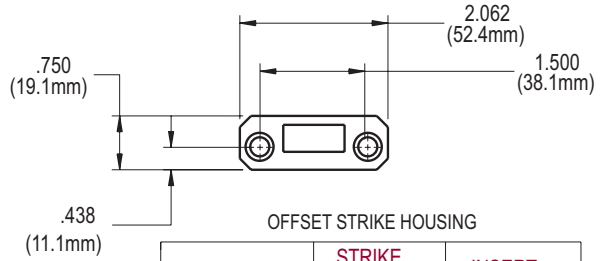


RECOMMENDED SCREWS:

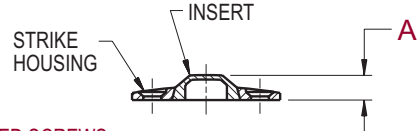
METAL: 2 (P/N 19630) #10-24 X .312 PHILLIPS, FLAT HEAD, SST METAL MACHINE SCREWS

PVC/WOOD: 2 - #10-24 PHILLIPS, FLAT HEAD, SST SCREWS (LENGTH AND THREAD TYPE DETERMINED BY PROFILE)

FIG. 7 OFFSET STRIKE HOUSING 20237



A	STRIKE HOUSING NUMBER	INSERT NUMBER
.218 (5.6mm)	20237	20231
.282 (7.1mm)		20232
.344 (8.7mm)		20233

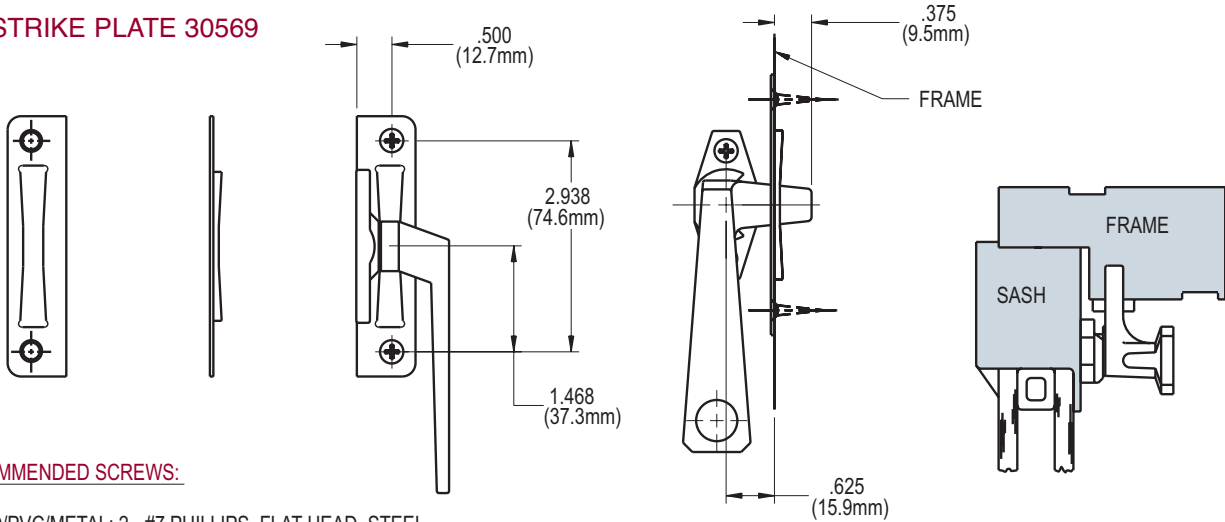


RECOMMENDED SCREWS:

METAL: 2 (P/N 19630) #10-24 X .312 PHILLIPS, FLAT HEAD, SST METAL MACHINE SCREWS

PVC/WOOD: 2 - #10-24 PHILLIPS, FLAT HEAD, SST SCREWS (LENGTH AND THREAD TYPE DETERMINED BY PROFILE)

FIG. 8 STRIKE PLATE 30569



RECOMMENDED SCREWS:

WOOD/PVC/METAL: 2 - #7 PHILLIPS, FLAT HEAD, STEEL SCREWS (LENGTH AND THREAD TYPE DETERMINED BY PROFILE)

FIG. 9 GASKET 20556 (offset base)

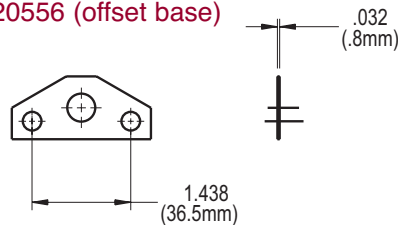


FIG. 10 GASKET 20408 (in-line base)

